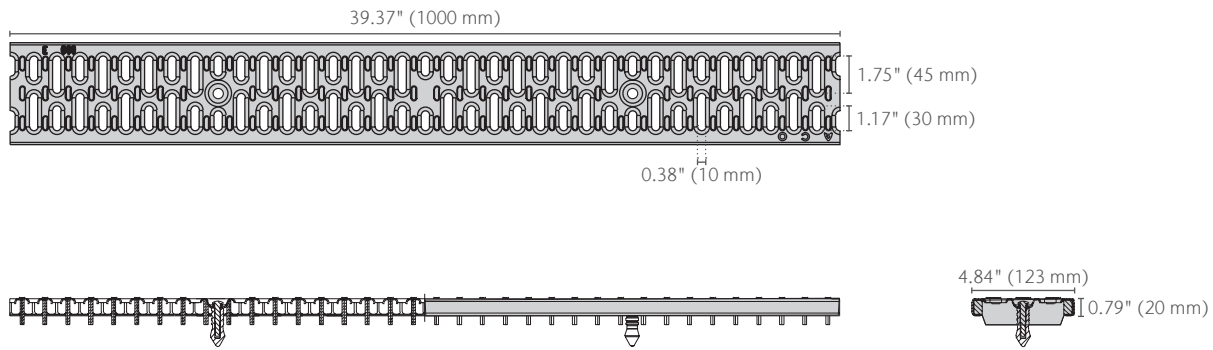


Type 490Q/493Q Slotted Stainless Steel Grate Spec Sheet



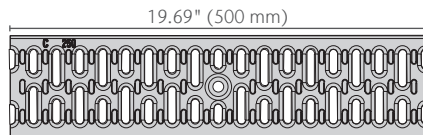
Type 490Q Slotted Stainless Steel Grate

part no. 31650



Type 493Q Slotted Stainless Steel Grate

part no. 31651



Product Name	Part No.	Length in (mm)	Width in (mm)	Weight lbs
Type 490Q Slotted Stainless Steel Grate	31650	39.37 (1000)	4.84 (123)	13.4
Type 493Q Slotted Stainless Steel Grate	31651	19.69 (500)	4.84 (123)	6.8
QuickLok locking bar	02899	-	-	0.2
QuickLok grate removal hook	01318	-	-	0.6

Type 490Q/493Q Slotted Stainless Steel Grate Spec Sheet

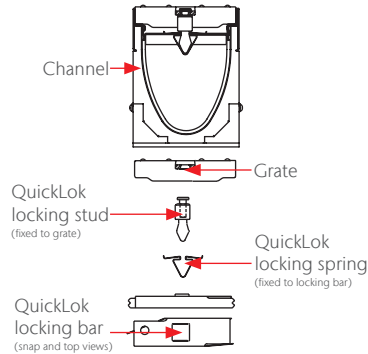


QuickLok® Locking Mechanism

ACO QuickLok is a patented boltless locking system. Grates are removed and replaced with the minimum time and effort for ease of maintenance.

The unique design of ACO QuickLok includes a locking stud fixed into the grate which clips into a locking bar.

The QuickLok locking stud is made from stainless steel and high density nylon. The locking bar and locking spring are stainless steel for use in both general purpose and corrosive environments.



Specification Summary

General

The surface drainage system shall be ACO Drain K100, KS100, H100-8, H100-10, H100K-8, or H100KS-8 channels complete with ACO Type 490Q/493Q Slotted Stainless Steel grate with QuickLok locking as manufactured by ACO, Inc. or similar approved.

Installation

The trench drain system and grates shall be installed in accordance with the manufacturer's installation instructions and recommendations.

Materials

The covers shall be manufactured from stainless steel and have minimum properties as follows:

- 16 gauge, Grade 304 stainless steel
- Intake area of 17.6 in² (113.5 cm²) per half meter of grate

The width of Type 490Q is 4.84" (123mm) and a length of 39.37" (1000 mm).
The width of Type 493Q is 4.84" (123 mm) and a length of 19.69" (500 mm).
Slots measure 1.75" (45mm) by 0.38" (10mm) and 1.17" (30mm) by 0.38" (10mm).



Australian Standard AS 3996 - 2006 Clause 3.3.6:
max slot length dependent on slot width for grates that are deemed Bicycle Tire Penetration Resistant.

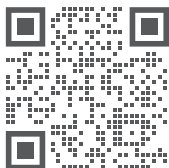


EN1433 Load Class E
134,885 lbs – 2,785 psi

ACO, Inc.

© January 2026 ACO, Inc.

All reasonable care has been taken in compiling the information in this document. All recommendations and suggestions on the use of ACO products are made without guarantee since the conditions of use are beyond the control of the company. It is the customer's responsibility to ensure that each product is fit for its intended purpose and that the actual conditions of use are suitable. ACO, Inc. reserves the right to change products and specifications without notice.



info@acousa.com
www.acousa.com

